

GGG-GH20 Inset Glass Hinge

Features

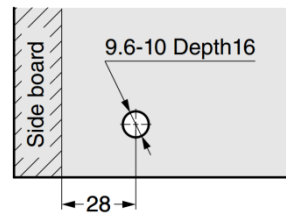
- For inset glass doors
- Can be used together with glass bracket **GGG-GB20** and glass door lock **GGG-GL20** for a total showcase solution
- Temporary holding feature allows the door to be installed easily by one person
- Sideways adjustment (± 2.5 mm) possible after installation of the door

Notes

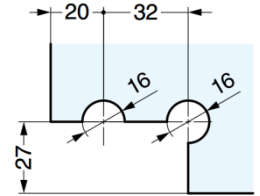
- Please refer to glass weight as the main reference when installing glass door
- Please use different gasket supplied with item for 6 mm thickness glass door
- Film for glass door is recommended for safe usage
- Please prepare a door stop separately

Parts Included

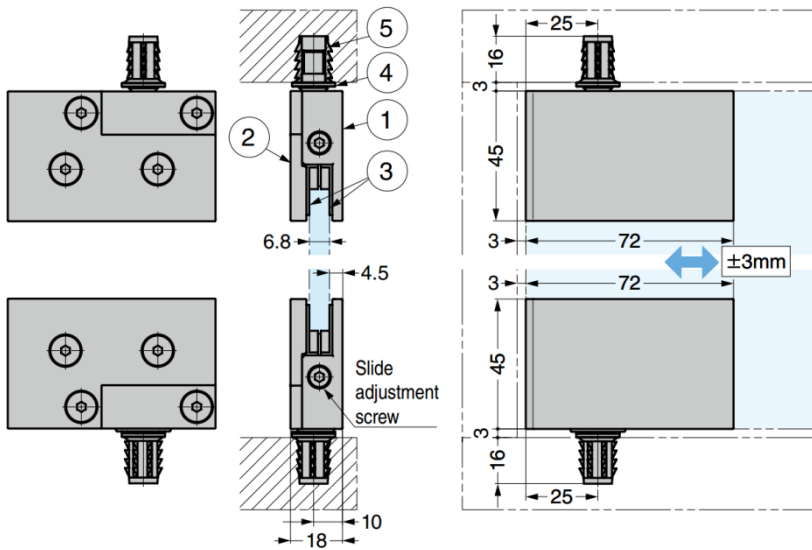
- Gasket (for glass 6 mm thickness)
- Spanner hex 3



Top and bottom panel



Glass door



No.	Part Name	Material	Finish/Colour
①	Body	Zinc Alloy (ZDC)	Chrome, Gold (24K) Plated,
②	Back Plate		Black
③	Gasket	Chloroprene Rubber (CR)	Black
④	Axis	Stainless Steel	Plain
⑤	Insert	Zinc Alloy (ZDC)	-

Sold in set (2 pcs)

Part No.	Finish / Colour	Door Width	Door Height	Glass Thickness	Door Weight
GGG-GH20-CR	Chrome	Max. 700	Max. 1,600	6, 8	196 N
GGG-GH20-GP	Gold (24K) Plated				
GGG-GH20-BL	Black				

GGG-GB20 Glass Bracket

Features

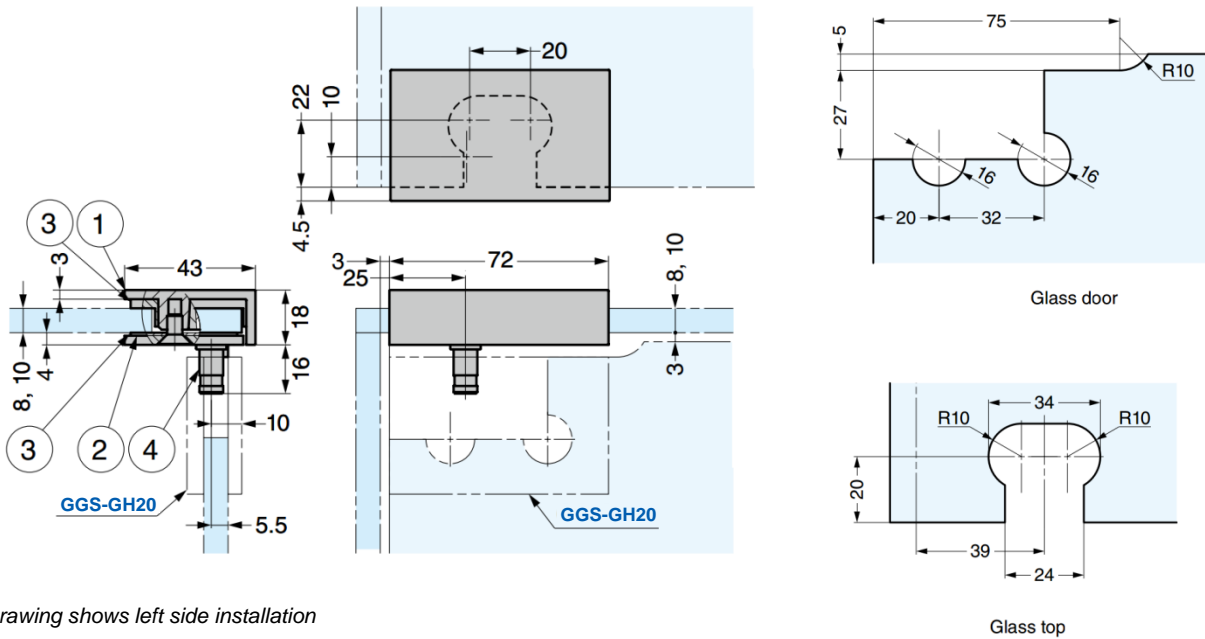
- For use with glass hinge **GGG-GH20** in case of glass top cabinet
- Can be used together with glass hinge **GGG-GH20** and lock **GGG-GL20** for a total showcase solution

Notes

- Film for glass door is recommended for safe usage
- Please prepare a door stop separately
- Please use different gaskets supplied with item for 8 mm thickness glass door

Parts Included

- Gasket (for 8 mm glass thickness)



No.	Part Name	Material	Finish/Colour
①	Body	Zinc Alloy (ZDC)	Chrome, Gold (24K) Plated, Black
②	Plate	Stainless Steel (SUS430)	
③	Gasket	Chloroprene Rubber (CR)	Black
④	Axis	Stainless Steel	Plain

Part No.	Type	Finish	Glass Thickness
GGG-GB20-R-CR	Right Side	Chrome	8, 10
GGG-GB20-L-CR	Left Side		
GGG-GB20-R-GP	Right Side	Gold (24K) Plated	
GGG-GB20-L-GP	Left Side		
GGG-GB20-R-BL	Right Side	Black	
GGG-GB20-L-BL	Left Side		

Showcases that shine

Sleek and brilliant designs

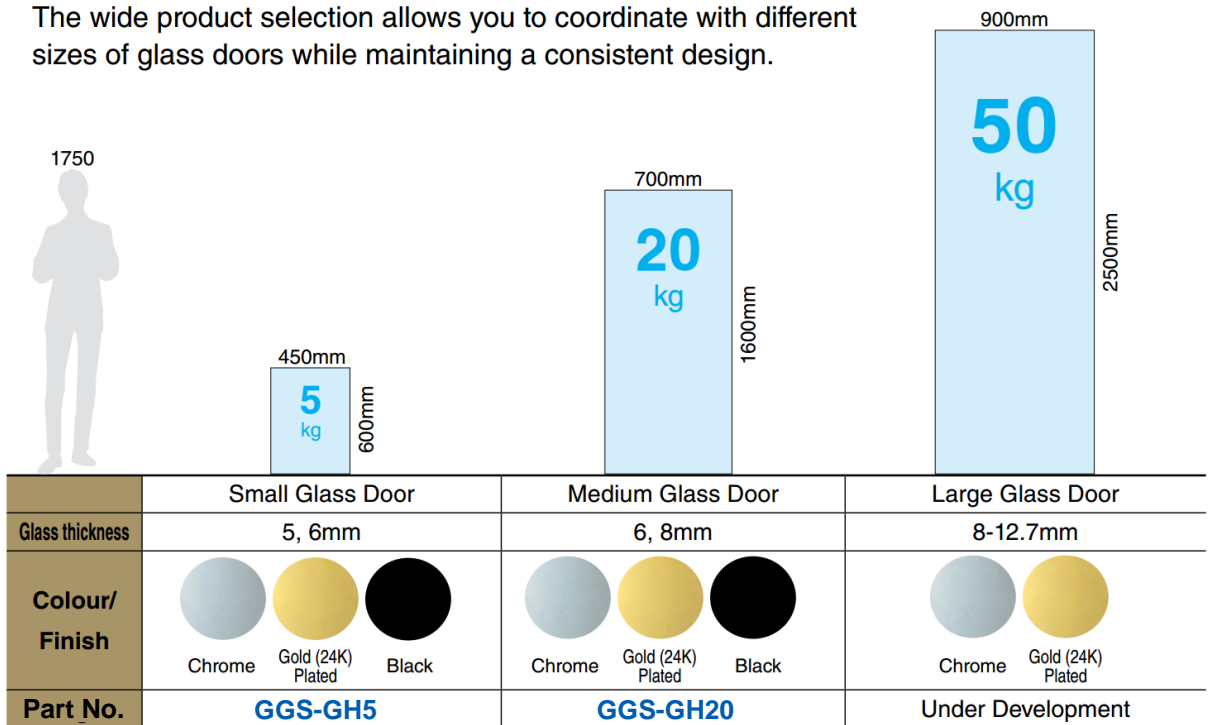
There is no protrusion on the smooth polished body, visually equalizing the level of the body and glass.

The chamfered edge creates a sophisticated showcase ambience.

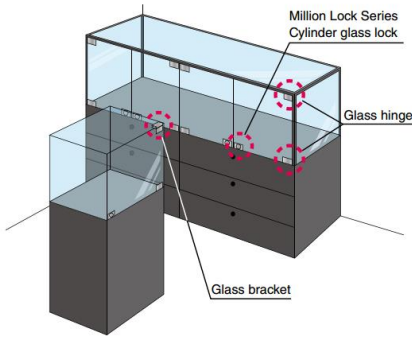


Available for Various Glass Door Sizes

The wide product selection allows you to coordinate with different sizes of glass doors while maintaining a consistent design.



Total Design Coordination

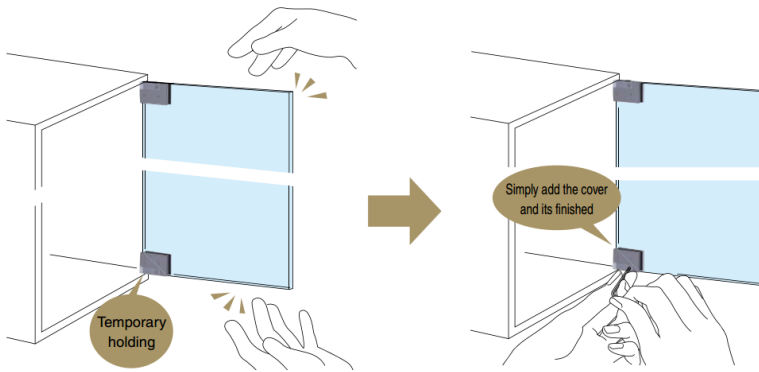


The unified flat design adds a sophisticated glamour to glass displays.



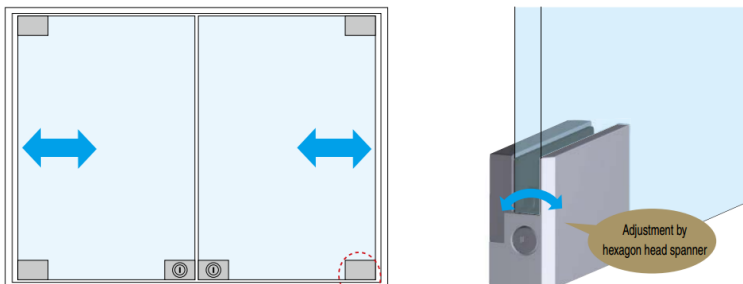
Outstanding Easy Installation

- Temporary holding feature allows the door to be installed easily by one person.



The hinges and brackets can temporarily hold the glass door after they are mounted. This function makes it possible for a single person to install it easily.

- Easy horizontal adjustment after installation



You can adjust the position of the glass door horizontally after installation by simply turning the screw.

Total Lock Function

A single key can be used on multiple locks

The Million Lock Series enables you to operate different cabinets with the same key. (You need to order keys of the Million Lock Series which have the same number)

